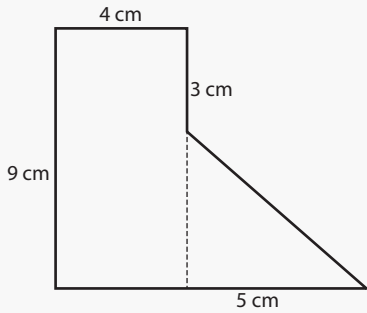


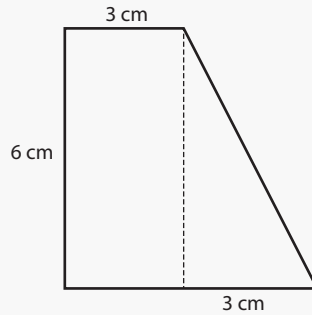
# Area of Compound Shapes

Name: \_\_\_\_\_ Class: \_\_\_\_\_

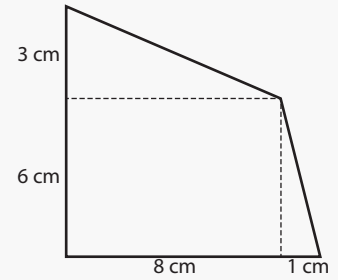
Find the area of the following compound shapes (not drawn to scale).  
The dashed lines are perpendicular.



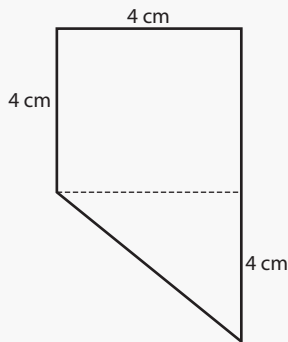
Area: \_\_\_\_\_



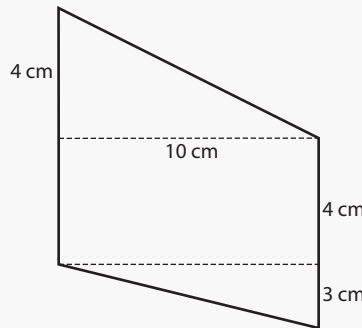
Area: \_\_\_\_\_



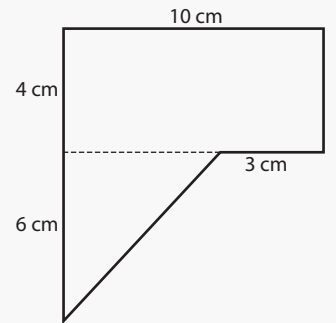
Area: \_\_\_\_\_



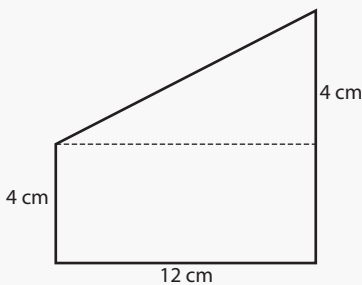
Area: \_\_\_\_\_



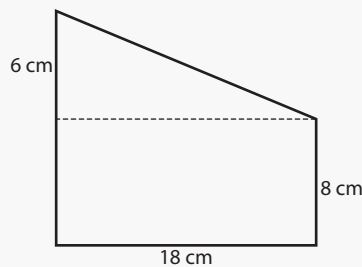
Area: \_\_\_\_\_



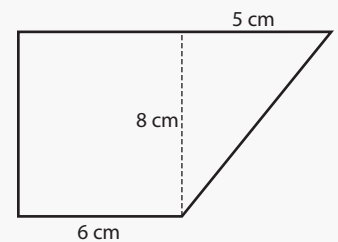
Area: \_\_\_\_\_



Area: \_\_\_\_\_



Area: \_\_\_\_\_



Area: \_\_\_\_\_